
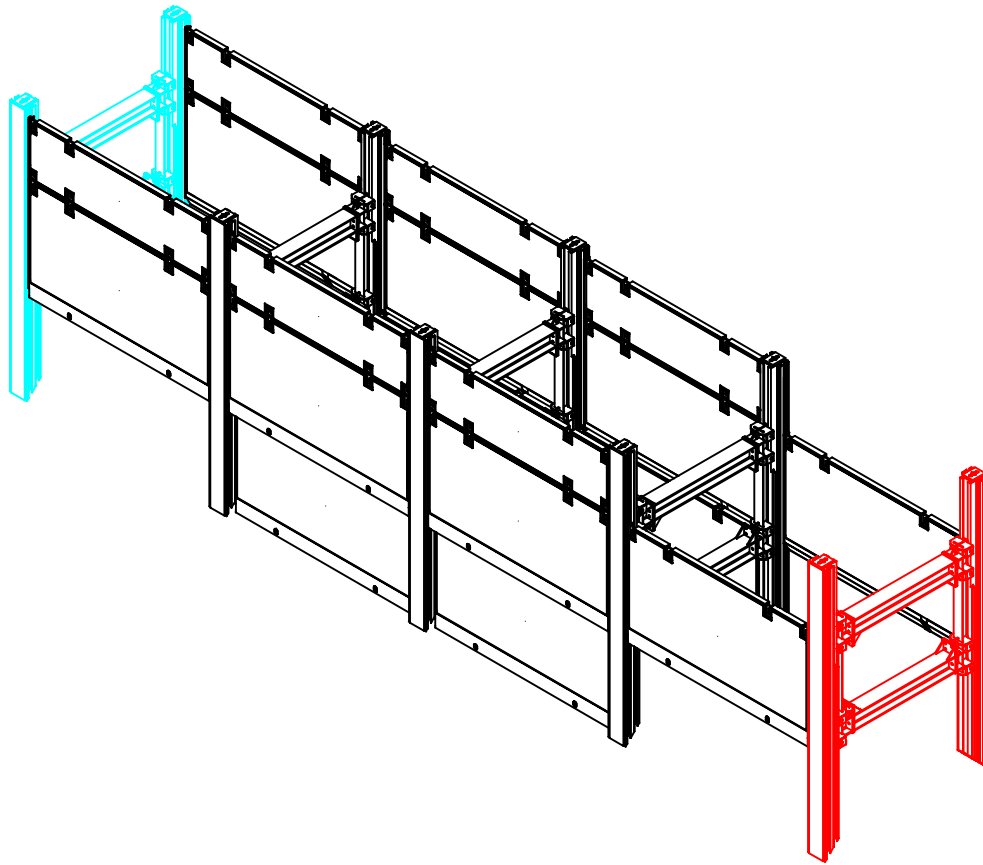


Step 1

	PRO-TEC Equipment Inc. 4837 W. Grand River Ave. Lansing, MI 48906 (517) 827-3250 1-800-292-1225	
	Customer: ~	Page 8 Of 8
	Dwg. # Q-SR-D-Multiple Bay Linear Pit-Leap Frog	
	Date: 17-Jan-2018	By: FM



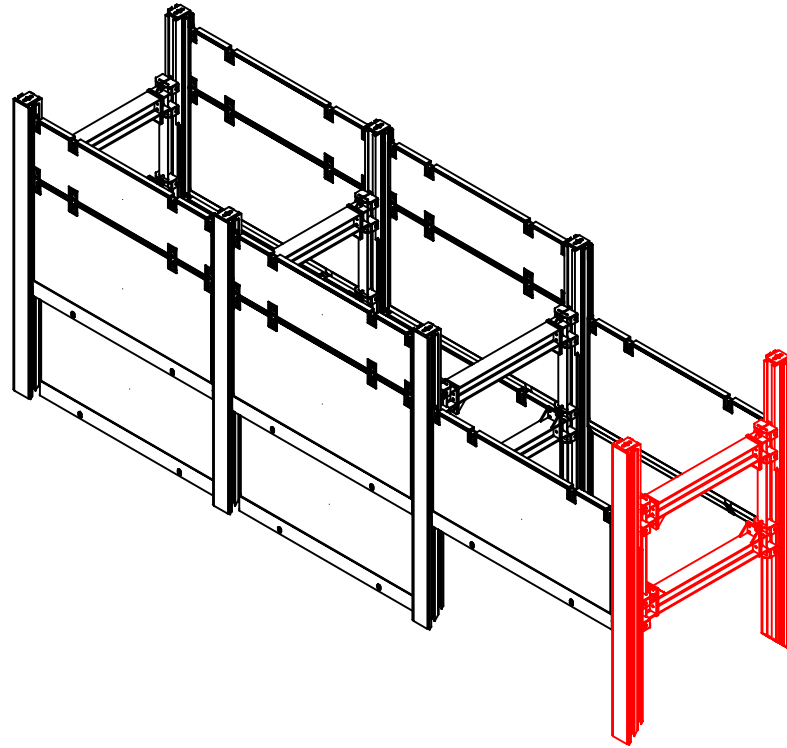
Step 2



PRO-TEC Equipment Inc.
 4837 W. Grand River Ave. Lansing, MI 48906 (517) 827-3250 1-800-292-1225

Customer: ~	Page 8 Of 8
Dwg. # Q-SR-D-Multiple Bay Linear Pit-Leap Frog	
Date: 17-Jan-2018	By: FM

Double Slide Rail
 Multiple Bay Linear Pit



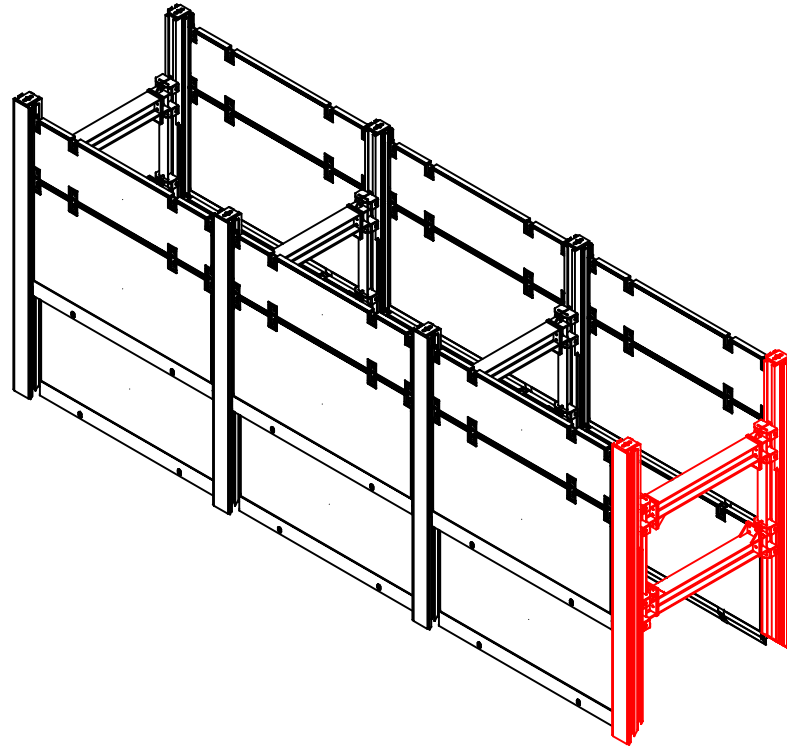
Step 2



PRO-TEC Equipment Inc.
4837 W. Grand River Ave. Lansing, MI 48906 (517) 827-3250 1-800-292-1225

Customer: ~ Page 8 Of 8
Dwg. # Q-SR-D-Multiple Bay Linear Pit-Leap Frog
Date: 17-Jan-2018 By: FM

Double Slide Rail
Multiple Bay Linear Pit



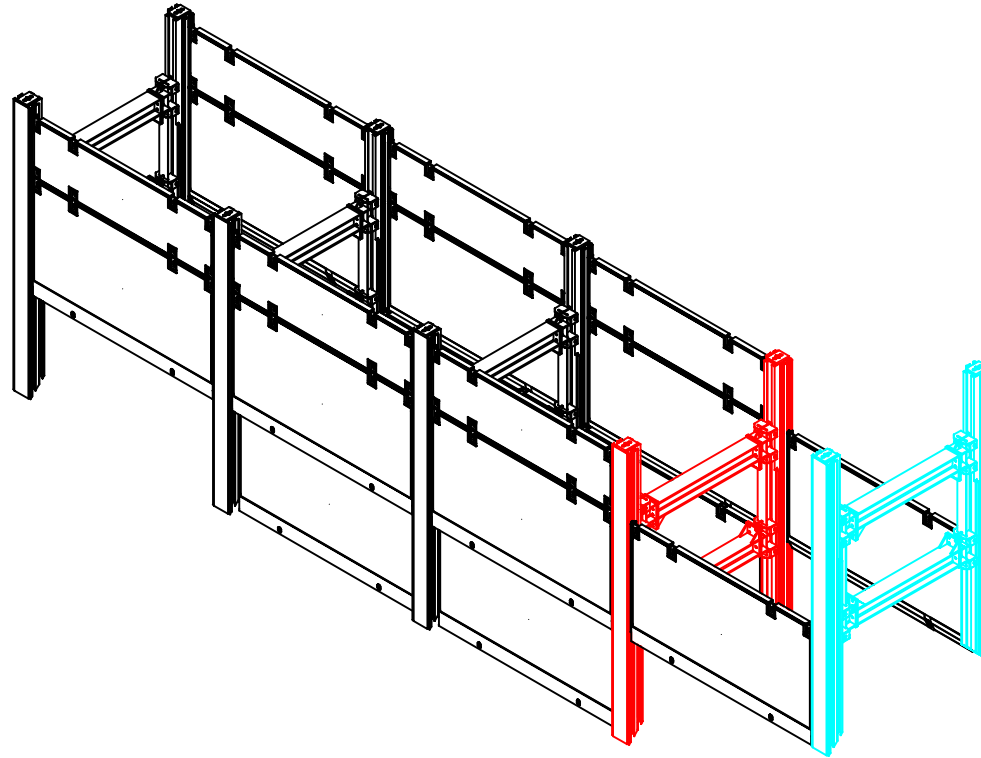
Step 3



PRO-TEC Equipment Inc.
 4837 W. Grand River Ave. Lansing, MI 48906 (517) 827-3250 1-800-292-1225

Customer: ~	Page 8 Of 8
Dwg. # Q-SR-D-Multiple Bay Linear Pit-Leap Frog	
Date: 17-Jan-2018	By: FM

Double Slide Rail
 Multiple Bay Linear Pit



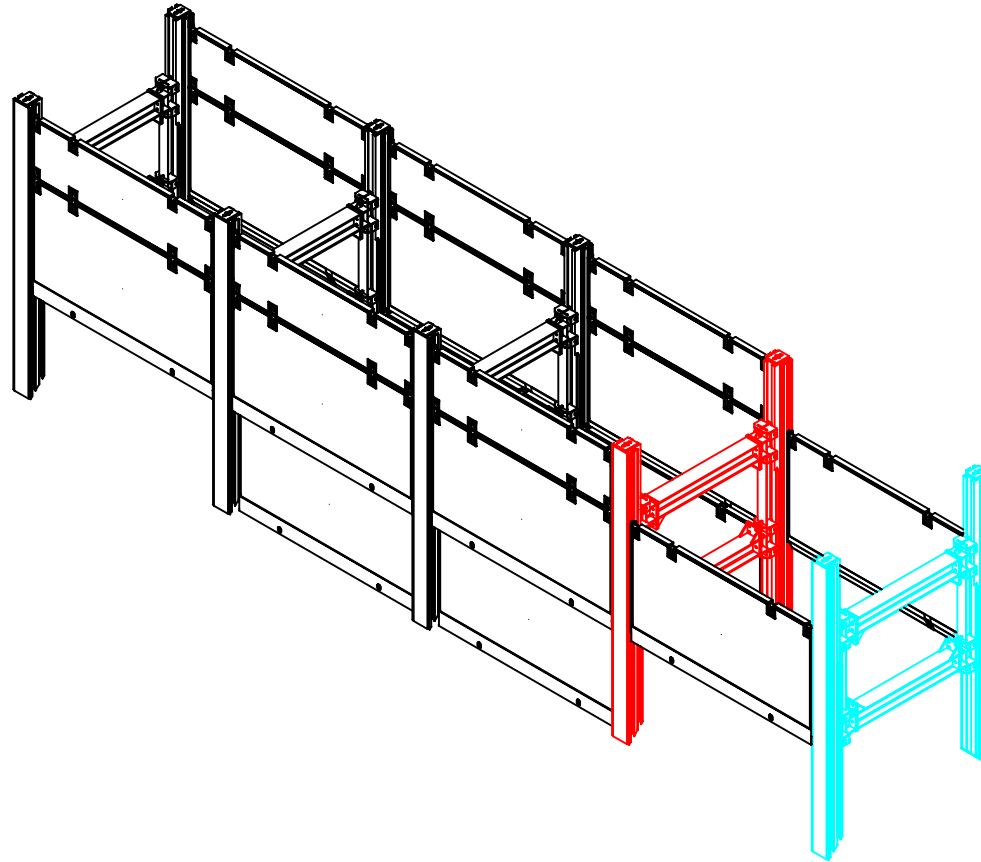
Step 4



PRO-TEC Equipment Inc.
4837 W. Grand River Ave. Lansing, MI 48906 (517) 827-3250 1-800-292-1225

Customer: ~ Page 8 Of 8
Dwg. # Q-SR-D-Multiple Bay Linear Pit-Leap Frog
Date: 17-Jan-2018 By: FM

Double Slide Rail
Multiple Bay Linear Pit



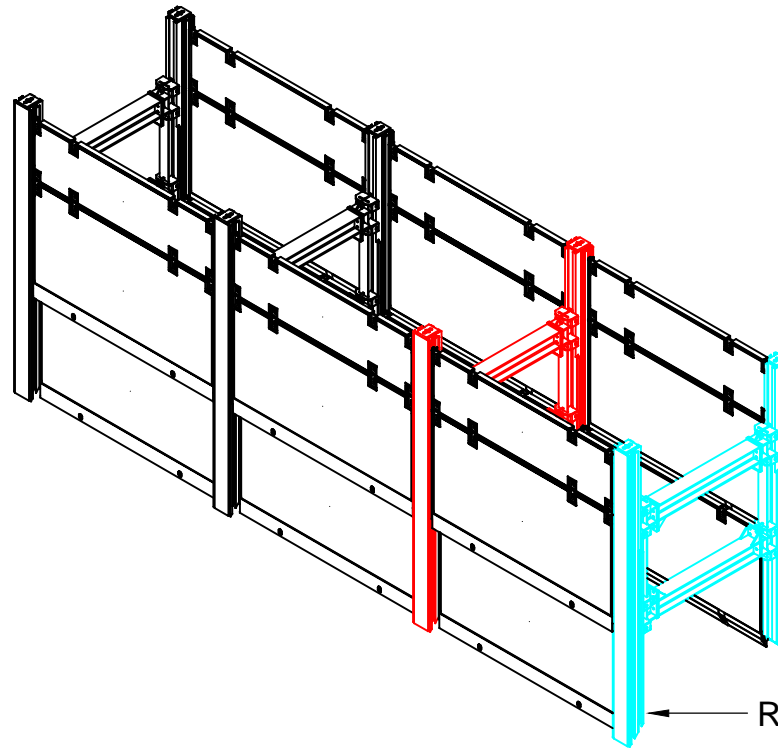
Step 5



PRO-TEC Equipment Inc.
 4837 W. Grand River Ave. Lansing, MI 48906 (517) 827-3250 1-800-292-1225

Customer: ~	Page 8 Of 8
Dwg. # Q-SR-D-Multiple Bay Linear Pit-Leap Frog	
Date: 17-Jan-2018	By: FM

Double Slide Rail
 Multiple Bay Linear Pit



Relocated Ex Post and Spreader

Step 6



PRO-TEC Equipment Inc.
 4837 W. Grand River Ave. Lansing, MI 48906 (517) 827-3250 1-800-292-1225

Customer: ~ Page 8 Of 8
 Dwg. # Q-SR-D-Multiple Bay Linear Pit-Leap Frog
 Date: 17-Jan-2018 By: FM

Double Slide Rail
 Multiple Bay Linear Pit