

**PRO-TEC Equipment**

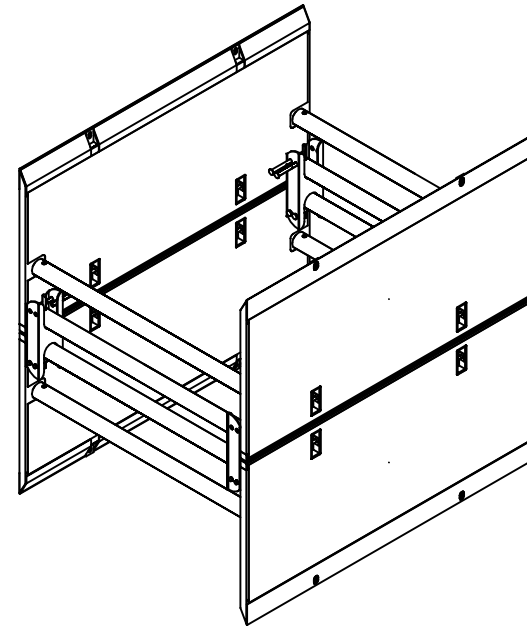
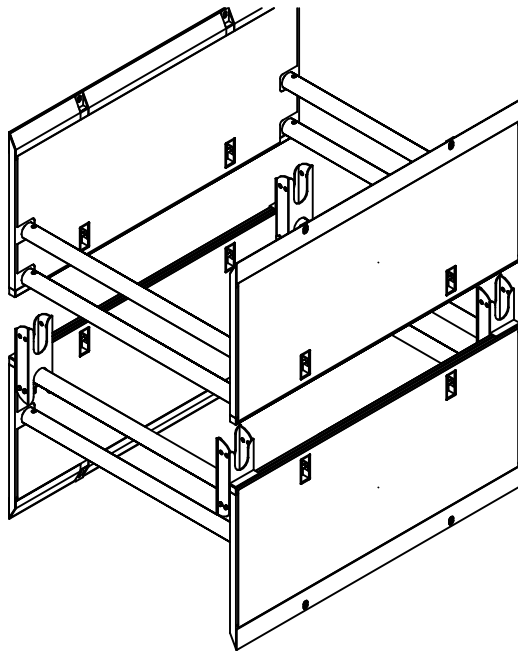
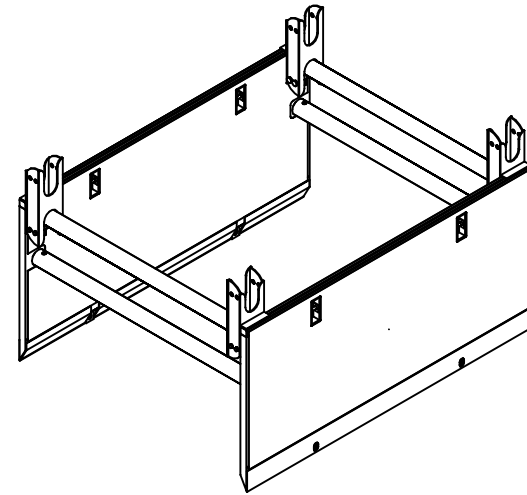
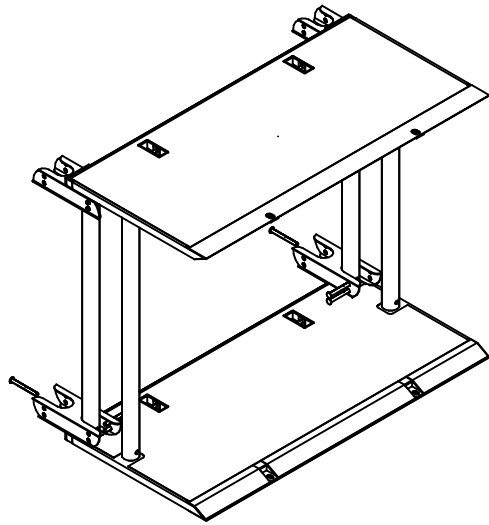
P.O. Box 130 1298 Lipsey Dr.-Charlotte MI 48813 (517) 541-0303 1-800-292-1225

Customer: ~ Page 1 Of 2

Dwg. # Pro-Stack Assembly Instructions

Date: 28-Aug-2012 By: C. Stevens

Pro-Stack Assembly Instructions



**PRO-TEC Equipment**  
 P.O. Box 130 1298 Lipsey Dr.-Charlotte MI 48813 (517) 541-0303 1-800-292-1225

Customer: ~	Page 2 Of 2
Dwg. # Pro-Stack Assembly Instructions	
Date: 28-Aug-2012	By: C. Stevens

Pro-Stack Assembly Instructions