

Lay one side of
Trench shield
Collars up

NOTES

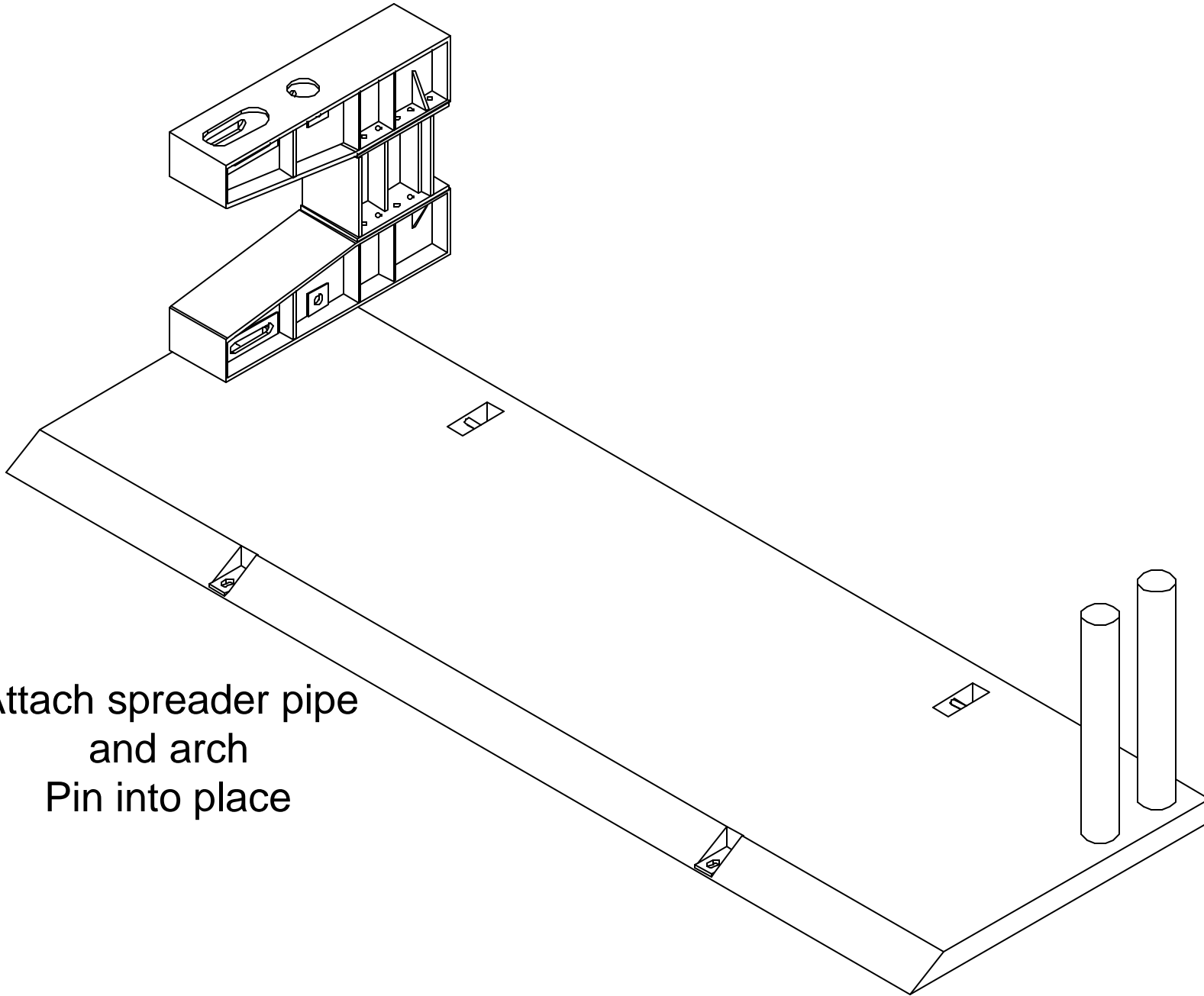
- 1. ~
- 2. ~
- 3. ~
- 4. ~
- 5. ~



PRO-TEC Equipment Inc.
P.O. Box 130 1296 Lipsey Dr.-Charlotte MI 48813 (517) 541-0303 1-800-292-1225

Customer:
Dwg. # Arch Assembly
Date: 9-25-03 By: T. Marciniak

Arch Assmebly



Attach spreader pipe
and arch
Pin into place

NOTES

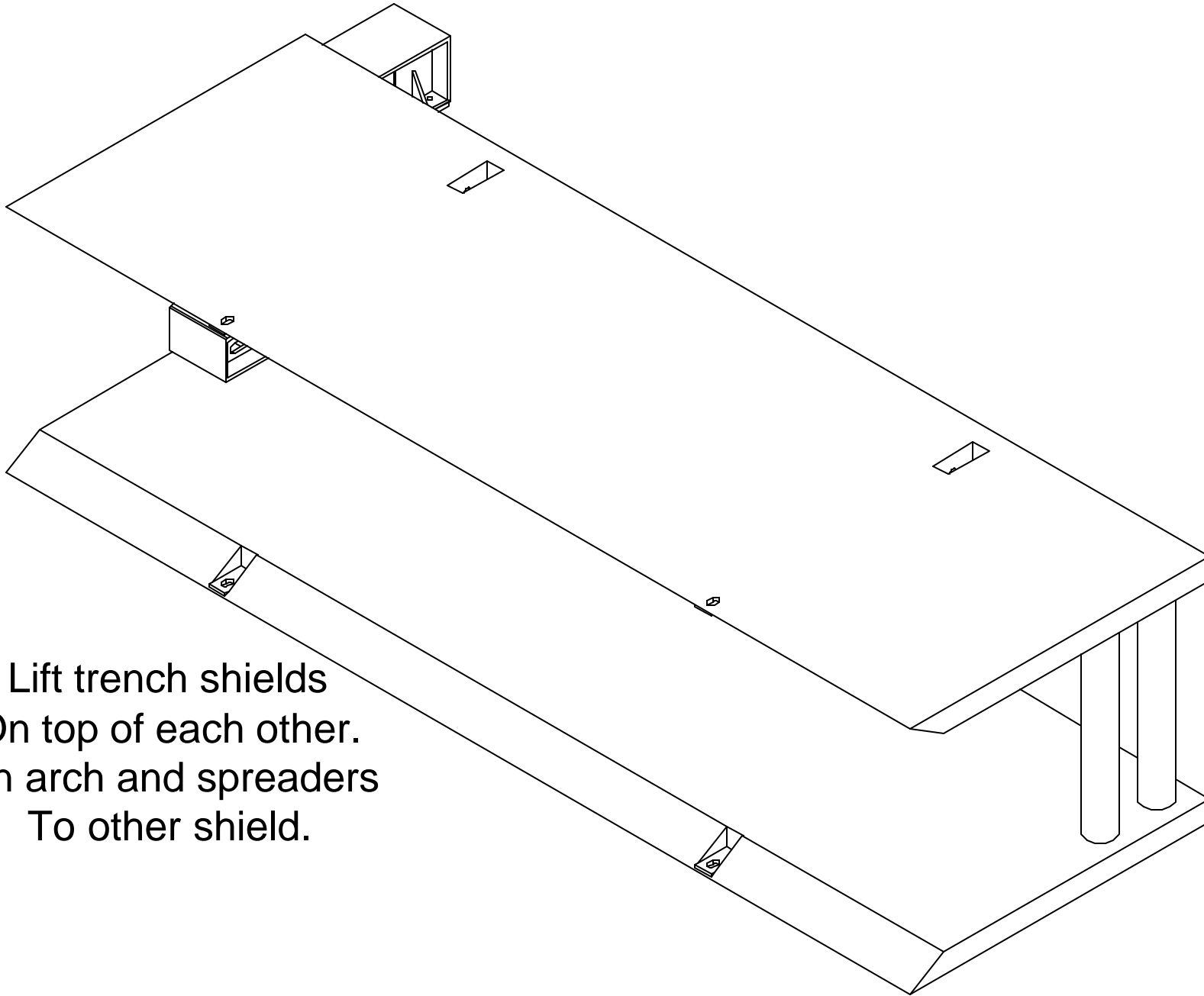
1. ~
2. ~
3. ~
4. ~
5. ~



PRO-TEC Equipment Inc.
P.O. Box 130 1296 Lipsey Dr.-Charlotte MI 48813 (517) 541-0303 1-800-292-1225

Customer:
Dwg. # Arch Assembly-1
Date: 9-25-03 By: T. Marciniak

Arch Assmebly



Lift trench shields
 On top of each other.
 Pin arch and spreaders
 To other shield.

NOTES

- 1. ~
- 2. ~
- 3. ~
- 4. ~
- 5. ~



PRO-TEC Equipment Inc.
 P.O. Box 130 1296 Lipsey Dr.-Charlotte MI 48813 (517) 541-0303 1-800-292-1225

Customer:
 Dwg. # Arch Assembly-2
 Date: 9-25-03 By: T. Marciniak

Arch Assmebly