

TRENCH SHIELD PIT BOX CERTIFICATION

A COPY OF THIS SHEET MUST BE PROVIDED AT JOB SITE



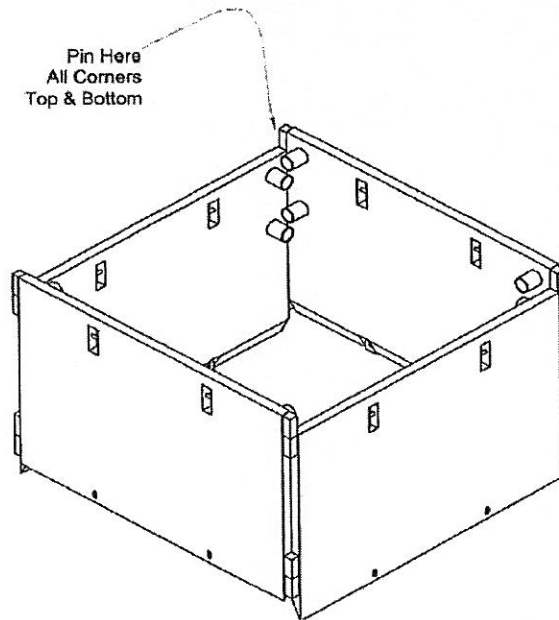
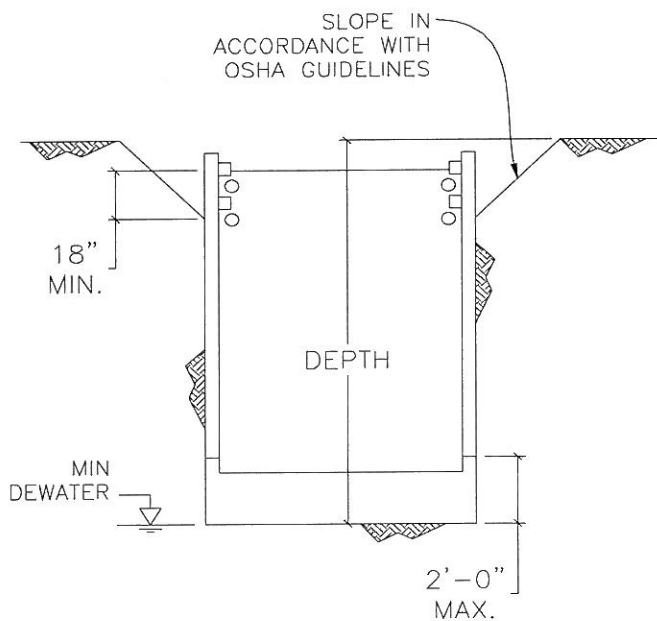
P.O. Box 130
Charlotte, MI 48813
(800) 292-1225

SHIELD SIZE	MODEL NUMBER	MAXIMUM DEPTH (FT)		
		TYPE A Soils	TYPE B Soils	TYPE C Soils
10'-TALL x 14'-LONG	PRO4 - 1014D	30	25	18
10'-TALL x 16'-LONG	PRO4 - 1016D	30	22.5	20
10'-TALL x 16'-LONG	PRO6 - 1016D	30	25	20
10'-TALL x 20'-LONG	PRO6 - 1020D	30	24.5	19.5
10'-TALL x 24'-LONG	PRO6 - 1024D	30	21.5	17.5
10'-TALL x 20'-LONG	PRO8 - 1020D	30	25	20
10'-TALL x 24'-LONG	PRO8 - 1024D	30	25	20

IF CONTRACTOR MIXES VARIOUS TRENCH SHIELD MODELS TO FORM A FOUR SIDED PIT BOX, THE LOWEST DEPTH RATING OF ANY OF THE SHIELDS USED, SHALL ALWAYS CONTROL THE OVERALL DEPTH RATING.

ONLY THE SPECIFIC PRO-TEC TRENCH SHIELDS LISTED ABOVE ARE APPROVED FOR USE UNDER THIS TABULATED DATA. IF ANY OTHER SIZE OR MANUFACTURER SHIELDS ARE USED, THE TABULATED DATA IS VOID AND SYSTEM SHALL NOT BE USED

2.25" x 2.25" x 1/4"-THICK TUBES MUST BE USED AT STACKING SOCKETS TO LOCK BOXES IN CORNER AS SHOWN BELOW



- This tabulated data has been prepared by a registered professional engineer as required to comply with OSHA standard 29 CFR part 1926, subpart P.
- Shields may be suspended no more than 2 feet above bottom of the excavation, and only if there is no possible loss of soil from behind or below bottom of shield.
- The sides of the excavation shall be cut vertical and narrow to prevent lateral movement, backfill voids between excavation and face of shoring shield.
- All panels must be pinned in corners with min 20"-long 2.25" square pins top and bottom, as shown above. Stacking sockets must consist of 4" x 4" x 1/4"-thick tube steel x 8"-long, and fully welded to shield with min. 1/4" fillet weld around entire perimeter.
- Soil above shield must be sloped according to OSHA Subpart P, & must begin no less than 18" below top of panel. Cuts over 20' with slopes need site specific approval.
- Shields may be stacked as long as each panel is rated to the depth it is used and manufacturer approved slack connections are utilized to prevent lateral movement of the shields.
- Surcharge loads of 72 psf have been included in the above depth ratings. Contractor is responsible for ensuring surcharge limit of 72 psf is never exceeded. Otherwise, site specific engineering is required.
- Contractors' competent person is fully responsible for classifying soils in accordance with OSHA guidelines, prior to use of system.
- Any modifications to panels will void tabulated data unless otherwise specified or allowed in writing by Pro-Tec Equipment.
- Shields must be inspected prior to each use for any damage or deterioration. If any assembly has sustained damage or permanent deformation, the tabulated data is void until repairs are made as specified by a registered professional engineer.
- Pro-Tec shoring systems are to be used in accordance with Federal, state and local laws. Refer to Occupational Safety and Health Administration (OSHA) rules and regulations Vol. 54, No. 209, 10/31/89. Subpart P.
- Shoring must be clear of all adjacent building structures by a distance equal to four times the maximum cut depth at all times, otherwise certification is invalid and site specific engineering is required.
- Contractor is fully responsible for ensuring groundwater level on all sides of shoring is maintained below base of excavation at all times, otherwise certification is invalid.

