



HYDRAULIC WALER SYSTEM

The Pro-Tec Equipment Waler Systems are designed to allow for maximum protection along with the versatility and flexibility needed to work around existing utility lines.

Pro-Tec Equipment offers two styles of struts for the waler systems; Hydraulic Strut and Hydraulic Cylinders. The Hydraulic Struts are designed for use as a three- or four-sided system for pipe repair and maintenance projects. While the Hydraulic Cylinders are designed for use in a two-sided application, for production work.

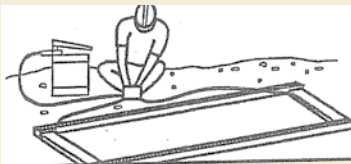
Standard features:

- Lightweight & Versatile
- Easy & safe to install from above excavation
- Interchangeable components
- Permits skip sheeting around crossing utilities
- 2-, 3- or 4-sided configurations
- Professional Engineer Certified to meet or exceed O.S.H.A. requirements



Sample Installation

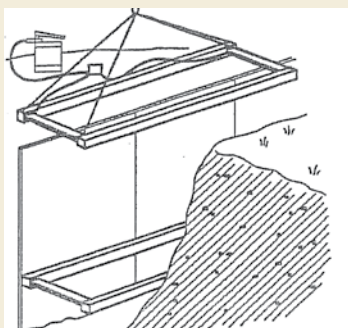
1. Complete excavation.



2. With the appropriate hose bridge, connect female ends to quick disconnect fittings on struts/cylinders.

3. Connect lifting sling to walers

4. Expand walers to a few inches narrower than the excavation size. Make sure to leave room for appropriate sheeting.



5. Lower waler into excavation. Refer to tabulated data for proper vertical spacing.

6. Position sheeting around the excavation between the waler and excavation sidewalls.

7. Pump system out to a 750 psi.

8. Using Waler Release Tool, disconnect hoses from struts/cylinders.



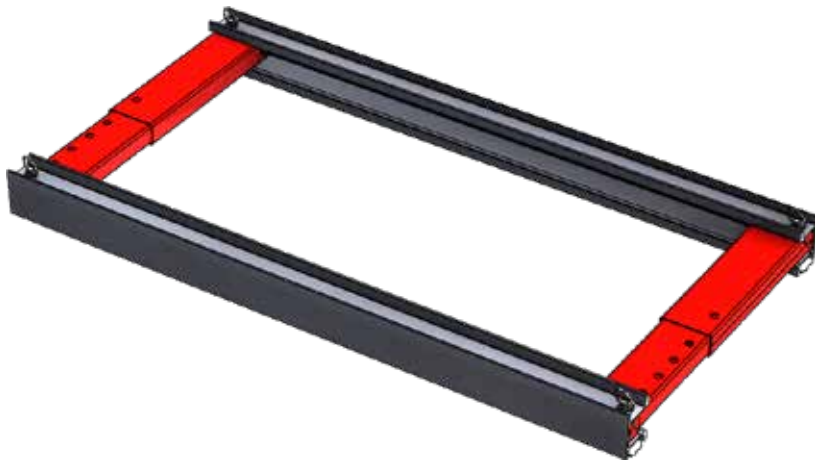
9. Repeat steps 2 - 8 as needed

Walers with Cylinders

Model	Description	Cylinder Range	Weight (lbs)
PWH-6-27	6' Walers W\2 Cyl.	17" - 27"	156
PWH-6-36	6' Walers W\2 Cyl.	22" - 36"	160
PWH-6-46	6' Walers W\2 Cyl.	28" - 46"	168
PWH-6-55	6' Walers W\2 Cyl.	34" - 55"	172
PWH-6-64	6' Walers W\2 Cyl.	40" - 64"	178
PWH-6-88	6' Walers W\2 Cyl.	52" - 92"	188
PWH-8-27	6' Walers W\2 Cyl.	17" - 27"	206
PWH-8-36	6' Walers W\2 Cyl.	22" - 36"	212
PWH-8-46	6' Walers W\2 Cyl.	28" - 46"	218
PWH-8-55	6' Walers W\2 Cyl.	34" - 55"	222
PWH-8-64	6' Walers W\2 Cyl.	40" - 64"	228
PWH-8-88	6' Walers W\2 Cyl.	52" - 92"	238
PWH-12-27	12' Walers W\2 Cyl.	17" - 27"	296
PWH-12-36	12' Walers W\2 Cyl.	22" - 36"	302
PWH-12-46	12' Walers W\2 Cyl.	28" - 46"	311
PWH-12-55	12' Walers W\2 Cyl.	34" - 55"	317
PWH-12-64	12' Walers W\2 Cyl.	40" - 64"	322
PWH-12-88	12' Walers W\2 Cyl.	52" - 92"	330
PWH-16-27	16' Walers W\2 Cyl.	17" - 27"	400
PWH-16-36	16' Walers W\2 Cyl.	22" - 36"	408
PWH-16-46	16' Walers W\2 Cyl.	28" - 46"	420
PWH-16-55	16' Walers W\2 Cyl.	34" - 55"	426
PWH-16-64	16' Walers W\2 Cyl.	40" - 64"	432
PWH-16-88	16' Walers W\2 Cyl.	52" - 92"	448



Extension systems available for all cylinder models



Walers with Struts

Model	Description	Strut Range	Weight (lbs)
PWH-6-40	6' Walers W\2 Struts	26" - 40"	270
PWH-6-50	6' Walers W\2 Struts	32" - 50"	300
PWH-6-59	6' Walers W\2 Struts	38" - 59"	334
PWH-6-68	6' Walers W\2 Struts	44" - 69"	376
PWH-6-92	6' Walers W\2 Struts	56" - 92"	420
PWH-8-40	8' Walers W\2 Struts	26" - 40"	316
PWH-8-50	8' Walers W\2 Struts	32" - 50"	345
PWH-8-59	8' Walers W\2 Struts	38" - 59"	383
PWH-8-68	8' Walers W\2 Struts	44" - 69"	424
PWH-8-92	8' Walers W\2 Struts	56" - 92"	467
PWH-12-40	12' Walers W\2 Struts	26" - 40"	408
PWH-12-50	12' Walers W\2 Struts	32" - 50"	437
PWH-12-59	12' Walers W\2 Struts	38" - 59"	475
PWH-12-68	12' Walers W\2 Struts	44" - 69"	516
PWH-12-92	12' Walers W\2 Struts	56" - 92"	560
PWH-16-40	16' Walers W\3 Struts	26" - 40"	566
PWH-16-50	16' Walers W\3 Struts	32" - 50"	608
PWH-16-59	16' Walers W\3 Struts	38" - 59"	665
PWH-16-68	16' Walers W\3 Struts	44" - 69"	724
PWH-16-92	16' Walers W\3 Struts	56" - 92"	790



PRO-TEC EQUIPMENT

4837 West Grand River Ave
 Lansing, MI 48906
 Phone: 1-800-292-1225
 Fax: (517) 827-3263
www.pro-tecequipment.com

The information in this brochure is presented in good faith to assist the user in determining whether our products are suitable for his/her application. No warranty or representation, however, is intended or made, nor is protection from any law or patent to be inferred, and all patent rights are reserved. Job site photos are strictly intended for general product information only and may not comply with all applicable safety standards. Always refer to manufacturer's specific tabulated data, O.S.H.A. 29 CFR 1926 Subpart P for excavation and all applicable safety standards prior to each use. ©2018 Pro-Tec Equipment. All rights reserved.

ARCOSA
SHORING PRODUCTS