



COMPLETE TRENCH SHORING & SHIELDING



THE LEADING PRODUCER & DISTRIBUTOR OF TRENCH SHIELDING & SHORING EQUIPMENT SINCE 1995

Why Pro-Tec Equipment

Provider of the world's most complete line of trench shoring and shielding equipment

WHY PRO-TEC EQUIPMENT?

Wide range of products & services:

Pro-Tec Equipment is a provider of the world's most complete line of trench shoring and shielding equipment. From a single hydraulic shoring ram to a multiple bay Slide Rail Shoring System, and everything in-between.

Safe and dependable equipment:

With one of the very best safety records in the industry we believe we offer the best trench shoring equipment and service to be found anywhere. We have been leaders in trench safety for decades.

Innovation:

Pro-Tec Equipment pioneered some industry firsts, including the first standard 4-point lifting system; the industry's strongest knife edge, the only U.S.A. built sheeting and bracing system and many more innovations.



Leading producer and distributor of trench shielding & shoring equipment since 1995



ABOUT PRO-TEC EQUIPMENT

An Unrivaled Team

When Pro-Tec Equipment was founded, there was a vision of how the company should be run. We knew that to be successful we needed to find dealers who thought like us. Treating employees with respect and guiding them to achieve their goals was also an objective. These beliefs mirror those of our parent company, Trinity Industries Inc., and remain strong to this day. From our manufacturing facility to our sales and rental team, we are unrivaled at all levels by any other shoring manufacturing company.

Survey Results

78% of survey respondents rated Pro-Tec Equipment's inside customer service as very good or excellent.

87% of survey respondents rated the quality and durability of the product line as very good or excellent.

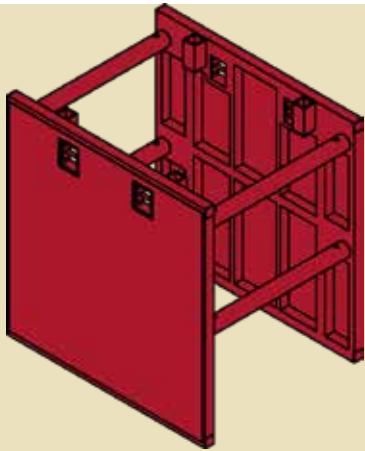
96% of survey respondents would **absolutely** recommend Pro-Tec Equipment without any reservations!

ROI

87% of survey respondents rated the Return On Investment (ROI) of the Pro-Tec Equipment trench shoring line as either average or one of the top lines.

Being the leading producer of trench shoring and shielding equipment, Pro-Tec Equipment is poised to help your business grow. Give us a call at 800-292-1225 to see what Pro-Tec Equipment can do to help your business become even more successful.

STEEL TRENCH SHIELDS



TOP: Pal3 Series

The Pro-Tec Equipment Pal3 Series trench shields are 3" thick trench boxes that are specifically designed for municipal utility installation/maintenance, taps, tight spots, water lead repairs, water, sewer, gas, fiber optic, and cable installation, among other projects. The Pal3 Series is available in a single-wall or double-wall shields, offering more flexibility for use with light-duty excavators and backhoes. Standard models for the Pal3 range from 4' to 8' Tall x 4' to 16' long, with weight topping out around 5,000 pounds.

CENTER: Pal4 Series

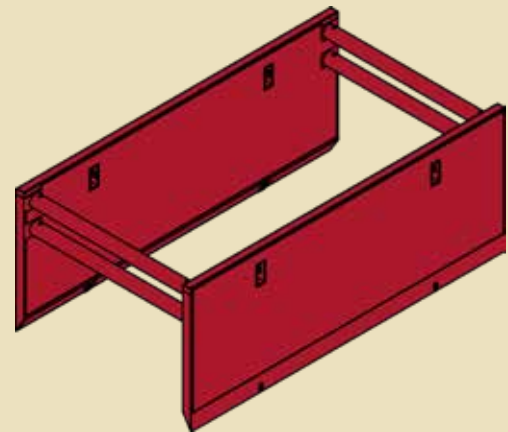
The Pal4 Series is designed to bridge the gap between the Pal3 Series and Pro4 Series. The Pal4 provides users with a larger trench shield than what is available for the Pal3 Series, while being lighter in weight, and enabling the use of smaller machines, than what would be required for the Pro4 Series. Standard models for the Pal4 range from 4' to 8' Tall x 8' to 24' long, with weight topping out around 8,400 pounds.

BOTTOM: Pro4 Series

The Pro4 Series is the standard bearer of the trench shield industry. Light enough to be used by mid-sized machines, yet strong enough to be used on larger projects. The Pro4 Series is designed for use in water & storm sewer, sanitary sewer, spot repairs, and pipeline projects. Standard models for the Pro4 range from 4' to 10' Tall x 10' to 24' in length. Standard models for the Pro4 range from 4' to 10' Tall x 10' to 24' long, with weight topping out around 12,000 pounds.



Leading producer and distributor of trench shielding & shoring equipment since 1995



TOP: Pro6 Series

The Pro6 Series is the true workhorse of the industry! Designed to meet the ever changing and deepening needs of the industry, the Pro6 Series, as with all the Pro Series trench shields features the industries strongest knife edge (cutting edge), full-length double top rail, recessed collars and the industry's first standard 4-point lift system. The Pro6 Series is ideal for bore pits and sanitary sewer projects, among many other. Standard models for the Pro6 range from 4' to 10' tall x 16' to 28' long, with weight topping out around 15,500 pounds.

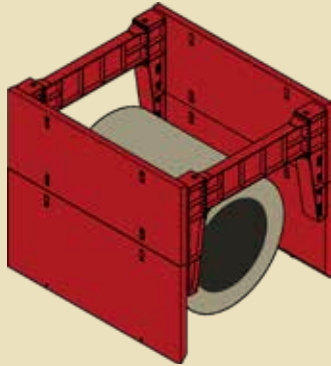
CENTER: Pro8 Series

Designed for those tough projects, the Pro8 Series enables users the same qualities of the Pro6 Series, but with the extra depth and strength needed for the deeper projects. The Pro8 Series is ideal for bore pits and sanitary sewer projects, among many other. Standard models for the Pro8 range from 4' to 10' Tall x 16' to 30' long, with weight topping out around 18,500 pounds.

BOTTOM: ProHD Series

Designed as an extension of the standard Pro Series trench shields, the ProHD series offers the same standard and optional features, but delivers exceptional depth rating for extreme projects. The ProHD Series is ideal for bore pits and sanitary sewer projects in the most extreme conditions that a trench shield can be used. Standard models for the ProHD range from 8' to 12' tall x 20' to 45' long. Weight depends on the depth required.

ARCHES & MANHOLE SHIELDS



HIGH CLEARANCE ARCHES

TOP: Pipeline Arch (Pal Arch)

Specifically designed to provide pipeline crews with the vertical clearance they desire. The Pipeline Arches provide 72" of vertical clearance when paired with 8' tall, double walled Pal3 trench shields. The Pipeline Arches features a full range of bolt-on extensions, which can provide up to 12' of internal width.

CENTER: High Clearance Arch

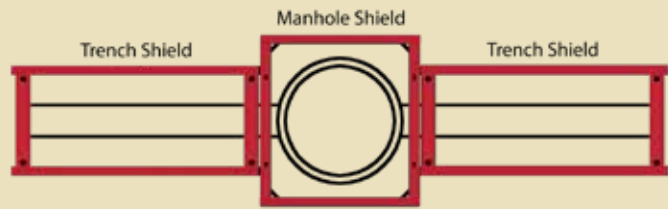
The High Clearance Arch (HCA) is designed to allow enough clearance for large diameter pipe, vaults, boring pits, and other applications. On 8' tall trench shields, the HCA will provide 8' of vertical clearance. On 10' tall trench shields, the HCA will provide 10' of vertical clearance. The HCA features a full range of bolt-on extensions which can provide up to 20' of internal width.

BOTTOM: Ultra High Clearance Arch

Pro-Tec Equipment's Ultra High Clearance Arch (UHCA) is designed for those project that require the maximum amount of vertical pipe clearance. The UHCA is designed to incorporate two stacked trench shields (top shield inverted) to achieve the maximum amount of clearance. With an 8' tall bottom shield, the UHCA provides 12' of vertical clearance. While using a 10' tall bottom shield provides 14' of vertical clearance! The UHCA feature a full range of bolt-on extensions which can provide up to 20' of internal width.



Leading producer and distributor of trench shielding & shoring equipment since 1995



Top View of a pipe line project showing how to properly utilize a manhole shield, with trench shields.

MANHOLE SHIELDS

TOP: Man4 Manhole Shield

Specifically designed to increase production on manhole installation projects, the Pro-Tec Man4 manhole shield is our most popular model, and available in a single and a double wall model. Available with or without cutouts, the Man4 Standard models for the Man4 range from 4' to 8' tall x 8' to 14' long, with weight topping out around 8,000 pounds.

CENTER: Round Manhole Shield

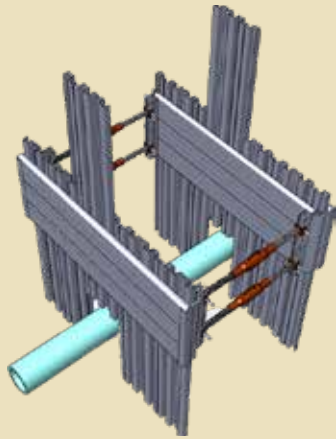
Pro-Tec Equipment's Round Manhole Shields (Pro-Corr) are a light-weight, corrugated steel manhole hole shield. With its round design, the Pro-Corr is able to be used by rubber-tired backhoes and light-duty excavators. The Pro-Corr Manhole Shields models range from 4' to 8' tall x 6' to 10' in diameter.

BOTTOM: Octagon & Tap Box

The Octagon and Tap Boxes from Pro-Tec Equipment are completely enclosed trench shields (no spreaders needed). Featuring 3" or 4" thick sidewalls, the Octagon & Tap Box shields are available with cutouts and replaceable doors. Octagon Manhole shields models range from 4' to 8' tall x 8' to 12' long x 8' to 12' wide. Tap Boxes models have no set range and can take a multitude of different shapes and sizes.



ALUMINUM TRENCH SHIELDS



TOP: Steel Framed Aluminum

Combining the best of steel trench boxes and aluminum trench shields, the Steel Framed Aluminum Trench Shield enables smaller machines (rubber tired backhoes, small excavators) to be used by contractors, municipalities, utility companies, and anyone operating smaller machines yet requiring a strong, durable trench box. The Steel Framed Aluminum Trench Shields are designed to use common 5" sch. 80 spreader pipe and are available in 4" and 6" sidewalls. Standard models range from 4' to 8' tall x 6' to 24' long, with weight topping out around 7,200 pounds (for a 6" thick steel framed aluminum trench shield).

CENTER: ATS Series

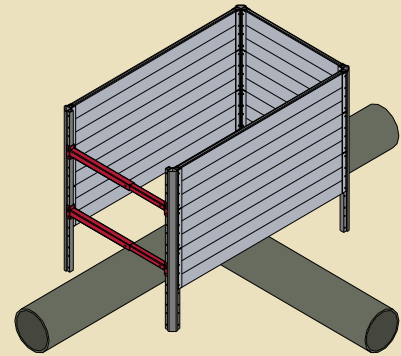
The ATS Series from Pro-Tec Equipment is a light weight trench shield designed to be used by rubber-tired backhoes and loaders. Ideal for municipalities and utility contractors, the ATS Series is a smooth wall panel design featuring telescoping adjust spreaders. Standard models for the ATS range from 4' to 8' tall x 6' to 16' long, with weight topping out around 2,100 pounds.

BOTTOM: ASG System

A standalone component system able to be used in 2-, 3-, and 4-sided configurations, the ASG solves the job-site problem of how to shore around existing and crossing utilities, by incorporating the aluminum interlocking sheet pile, sheet stoppers, support post, spreaders and corners, while providing crews with a safe working environment. Panel lengths are 8' and 10' long with the 10' panel weighing 375 pounds.



Leading producer and distributor of trench shielding & shoring equipment since 1995



TOP: Modular Aluminum System

The Modular Aluminum System (MOD Series) is part of an ever growing aluminum market segment for Pro-Tec Equipment. The MOD Series is a modular aluminum trench shield system that is lightweight and easily transported via pick-up truck. It can be used as a 2-, 3-, or 4-sided system with existing components and can be changed on the fly at the jobsite to meet each job's specific requirements. The MOD Series consist of panels, post and spreaders. Each panel is 2' high, with panel lengths ranging from 2' to 14' in length, weighing up to 200 pounds. Post range from 2' to 10' tall, with the heaviest coming in at 130 pounds.

CENTER: Aluminum High Clearance Arch

Designed to work with the Pro-Tec Equipment ATS system, as well as the Mod series, the Aluminum Arches provide up to 72" of vertical pipe clearance, while still enabling smaller excavators to easily maneuver the trench shield system. The Aluminum High Clearance Arch features a full range of bolt-on extensions (compatible with the Pal Arch), which can provide up to 12' of internal width.

BOTTOM: Quad Strut

A patented strut, the Quad Strut enables rental locations to maximize fleet utilization by taking the place of three spreader set sizes, with one! Designed to be used with Aluminum Trench Shields, the Quad Strut is able to go from 36" to 96" in length.

STONE SAVERS, SPREADERS, & SHEET PILE



Stone Savers pay for themselves! Not only with the amount of material they save, but also with the loader and rework time they save.

TOP: Standard Stone Saver

The Pro-Tec Equipment Stone Saver is a bedding material container designed with cost savings in mind. With the Stone Saver, costly bedding material is confined, minimizing losses. Designed with the *industry's only rounded, continuous bottom*, all of Pro-Tec Equipment's Stone Savers eliminate welded seams are crucial stress points. The Standard Stone Saver features models ranging from 3 cubic yard to 12 cubic yard capacity, with a maximum empty weight of 6,400 pounds.

CENTER: Heavy Duty Stone Saver

Based off the same concepts as the Standard Stone Saver, the Heavy Duty Stone Saver features thicker sidewalls and reinforced ends to help withstand the gentle touches of the larger machines they are used with. Heavy Duty Stone Saver Models range from 7 cubic yard to 20 cubic yard capacity, with a maximum empty weight of 10,500 pounds.

BOTTOM: Extra Wide Stone Saver

Designed from the Heavy Duty Stone Saver, the Extra Wide Stone Saver is just that, Extra Wide. The extra width is there to accommodate the use of larger buckets used on the larger excavators. Extra Wide Stone Saver models range from 9 cubic yard to 20 cubic yard capacity, with an maximum empty weight of 10,500 pounds.



Leading producer and distributor of trench shielding & shoring equipment since 1995



TOP: Spreaders

Spreaders are an essential part of a trench shield. For the Pro Series trench shields, the spreaders are made from 8" sch 80 pipe with pin holes that are punched (increasing accuracy and minimizing changes to the chemical make up of the steel) and sizes ranging from 18" to 20'. For the Pal Series, the spreader options are the 4" sch 40 (for Pal3), 5" sch 80 (for Pal3 and Pal4) and the same 8" Sch. 80 (for Pal4). Aluminum Trench shields are able to use adjustable tube spreaders, ranging from 17" to 96". All Pro-Tec Equipment spreader pipe is 100% American sourced material.

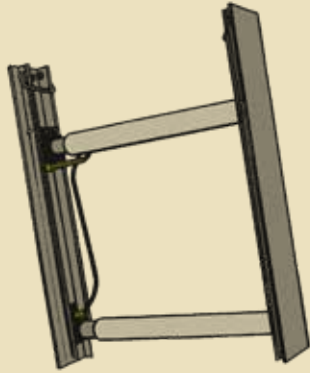
CENTER: Steel Overlap Sheet Pile

The Steel Overlap Sheet Pile is a non-water tight sheet pile that is excellent for shoring and bulk heading the ends or sides of a trench shields. They are strong, durable sheet that features an overlapping design for easy installation and removal. Sheets are available in 10' to 24' lengths, with a maximum weight of 1,100 pounds.

BOTTOM: Aluminum Overlap Sheet Pile

Similar to the Steel Overlap Sheet Pile, the Aluminum Overlap sheet pile is a non-water tight sheet pile that is designed to be used with the aluminum trench shield products as a way to bulkhead and enclose the open ends of a system. The Aluminum Overlap Sheet Pile is able to be paced by hand. Available in lengths from 5' to 12', with a maximum weight of 40 pounds.

HYDRAULIC SHORING



What is Hydraulic Shoring

Hydraulic Shoring is designed to prevent cave-ins, by supporting the side walls of the trench through the use of hydraulic pressure. They are quick, safe and simple to use. Vertical shores are designed to be installed and removed 100% from the top of the trench; and can be used as spot bracing for repair situations, or can be used for production trenching.

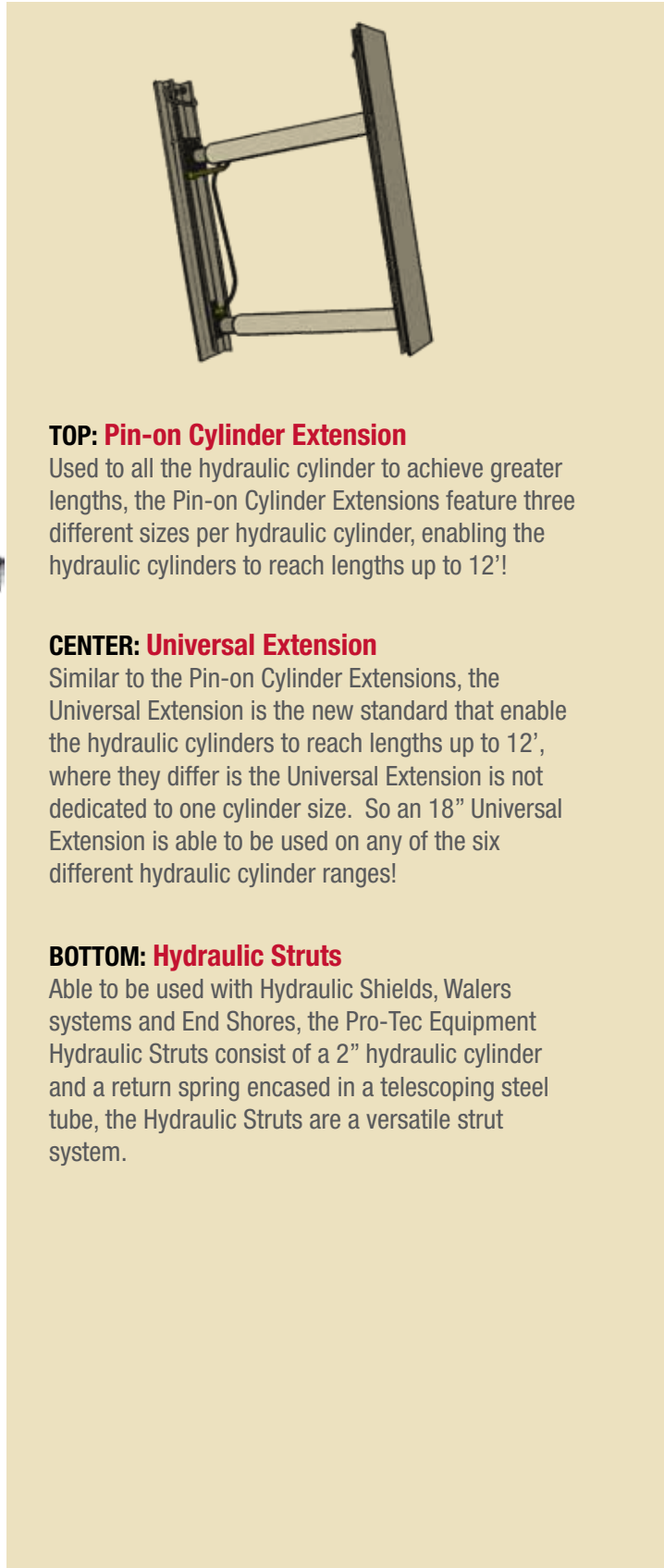
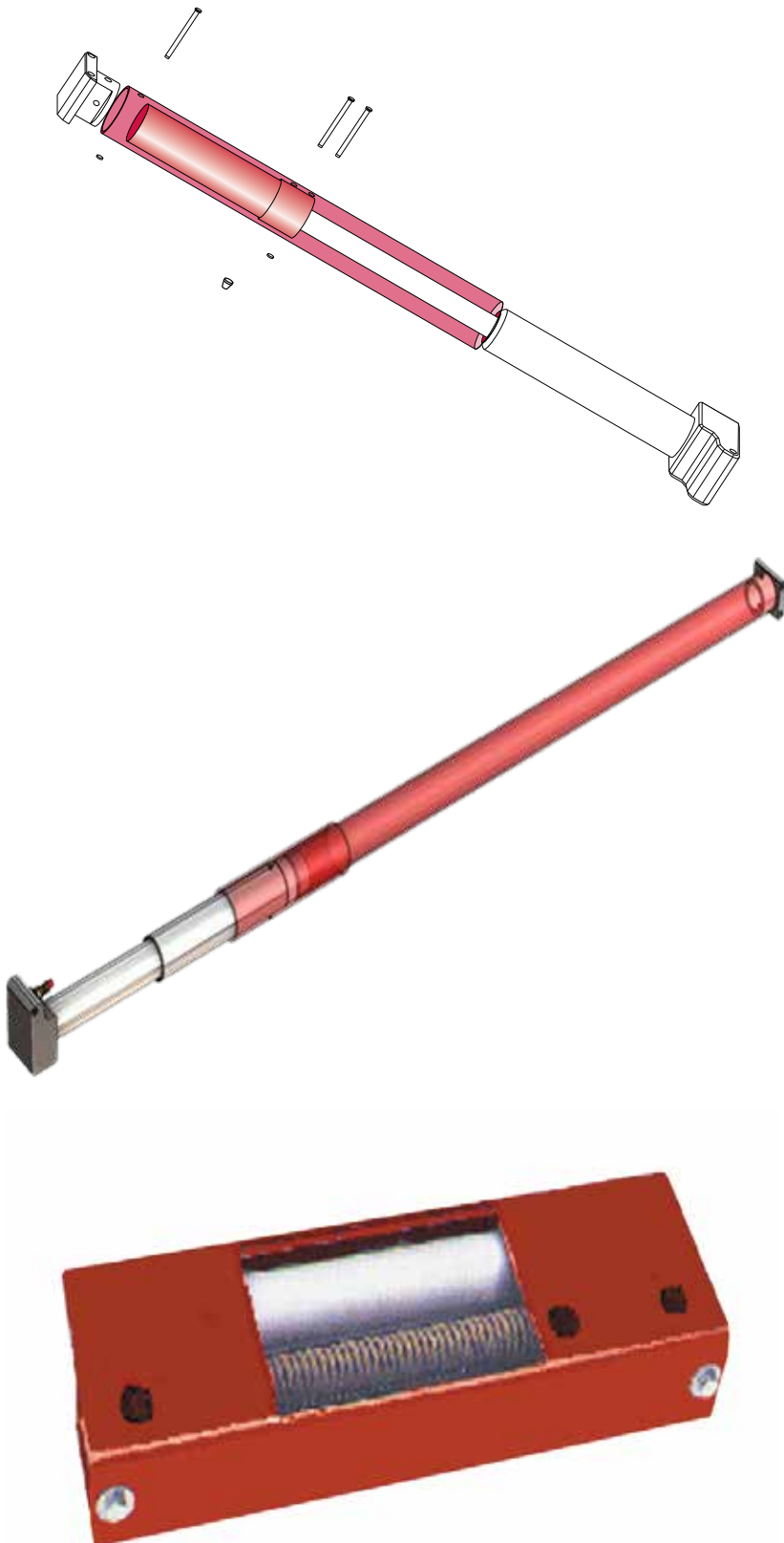
CENTER: Standard Vertical Shore

Available in four standard rail lengths from 18" to 7' and able use any of six different hydraulic cylinders, the Standard Vertical Shore is great for use in spot shoring or shallow excavation works.

BOTTOM: Heavy Duty Vertical Shore

Available in seven standard rail lengths from 18" to 16', and able to use any of the six different hydraulic cylinders, the Heavy Duty Vertical Shores are able to handle a bit more wear and tear than the Standard Vertical shores.





TOP: Pin-on Cylinder Extension

Used to all the hydraulic cylinder to achieve greater lengths, the Pin-on Cylinder Extensions feature three different sizes per hydraulic cylinder, enabling the hydraulic cylinders to reach lengths up to 12'!

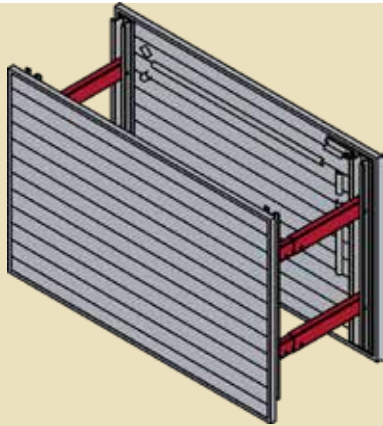
CENTER: Universal Extension

Similar to the Pin-on Cylinder Extensions, the Universal Extension is the new standard that enable the hydraulic cylinders to reach lengths up to 12', where they differ is the Universal Extension is not dedicated to one cylinder size. So an 18" Universal Extension is able to be used on any of the six different hydraulic cylinder ranges!

BOTTOM: Hydraulic Struts

Able to be used with Hydraulic Shields, Walers systems and End Shores, the Pro-Tec Equipment Hydraulic Struts consist of a 2" hydraulic cylinder and a return spring encased in a telescoping steel tube, the Hydraulic Struts are a versatile strut system.

HYDRAULIC SHORING



TOP: HATS Series

Pro-Tec Equipment's HATS Series allows users to combine the security and added safety of a solid wall trench shield with the benefits of hydraulic shoring. Constructed of high strength aluminum foam filled panels, it is ideal for light-duty applications, easily installed with a rubber-tired backhoe

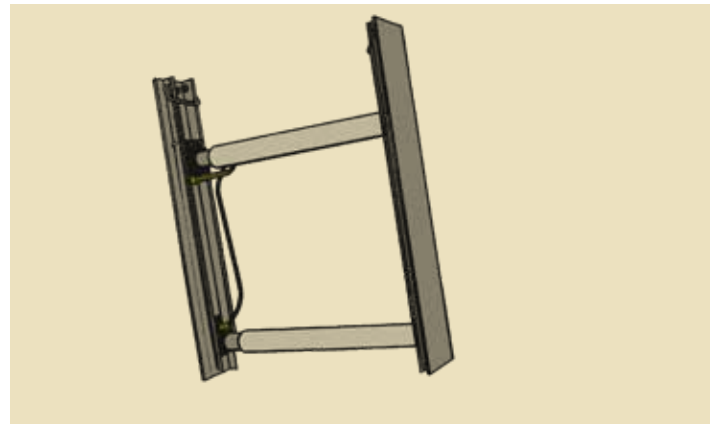
CENTER: 6' End Shores

Hydraulic Aluminum End Shores are perfect for enclosing an end of an excavation. Lightweight and adjustable, the End Shores are able to be installed with small excavators and rubber-tired backhoes. Used in conjunction with the aluminum overlap sheet pile, the 6' End Shores offer five different adjustable widths, able to go from 26" wide to 92" wide.

BOTTOM: 8' End Shores

Hydraulic Aluminum End Shores are perfect for enclosing an end of an excavation. Lightweight and adjustable, the End Shores are able to be installed with small excavators and rubber-tired backhoes. Used in conjunction with the aluminum overlap sheet pile, the 8' End Shores offer five different adjustable widths, able to go from 26" wide to 92" wide.





TOP: Standard Waler System

The Pro-Tec Equipment Waler Systems are similar to the vertical shores, but the walers are designed to be horizontal. Able to be used with a variety of sheeting materials, the waler system are able to be installed and removed completely from above ground. The Standard Waler System is able to provide a horizontal working clearance of five to seven feet.

CENTER: Heavy Duty Waler System

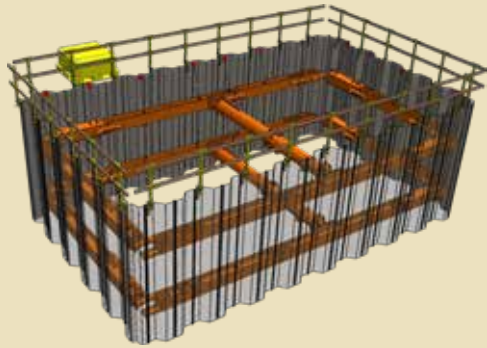
Similar to the Standard Waler System, the Heavy Duty Waler System is able to be used with a variety of sheeting materials, the waler system are able to be installed and removed completely from above ground. The Heavy Duty Waler system is able to provide a horizontal working clearance of five to seven feet.

BOTTOM: Manhole Bracing

Designed to shore square, rectangular, and irregular shaped excavations, the Pro-Tec Equipment Manhole Braces bridge the gap between vertical hydraulic shoring and the Pro-Brace Hydraulic Framing system.

The Pro-Tec Equipment Manhole Braces create a clear, unobstructed working area, ideal for manhole and vault installations, as well as municipal work. The Manhole Braces can be easily transported to and from the job-site and are quickly assembled.

PRO BRACE HYDRAULIC FRAME



What is the Pro-Brace Hydraulic Frame

Consisting of an enclosed hydraulic ram and static extensions, the Pro-Brace Hydraulic Frame is able to provide safe working areas in excavations from 9'9" to 75'5" in length and width. In many cases, due to jobsite conditions, the clearspan capabilities of the system are limited and require a center or corner strut. With the inclusion of hydraulic struts, the maximum width of the excavation will be determined by an engineer while the length of the system is virtually limitless.

When to use the Pro-Brace Hydraulic Frame

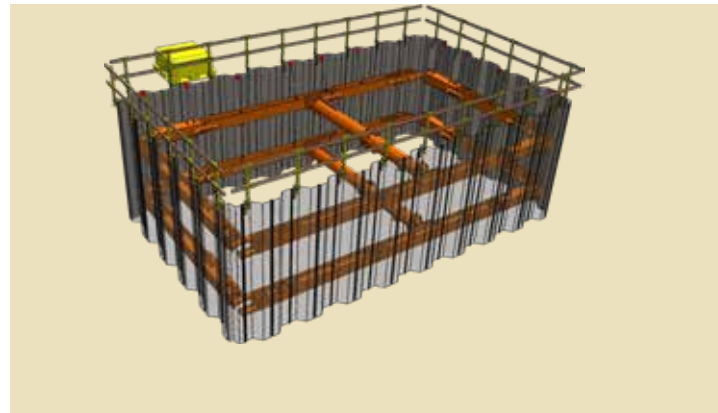
Excellent for projects such as; bridge footings, tank installations, Cast-In-Place projects and a myriad of other large excavations projects, the Pro-Tec Equipment Pro-Brace Hydraulic Frame has an optimal working depth from 12' to 30', with the overall capacity of the system able to achieve depths greater than 30'!

Why use the Pro-Brace Hydraulic Frame System?

The Pro-Brace Hydraulic Frame is designed and engineered to enable users to save time and money by drastically reducing the installation and removal time, when compared to traditional cut and weld frame projects.



Leading producer and distributor of trench shielding & shoring equipment since 1995



TOP: Pro-Brace Pump

The Pro-Brace Pump is a double acting hydraulic pump and reservoir capable of producing 2500 psi of working pressure. The pump comes complete with a pressure gauge, hydraulic hoses, (30' in length), hose and tool storage, cylinder shut-off valve tools and a electric and recoil start 270cc engine.

CENTER: Pro-Brace Struts

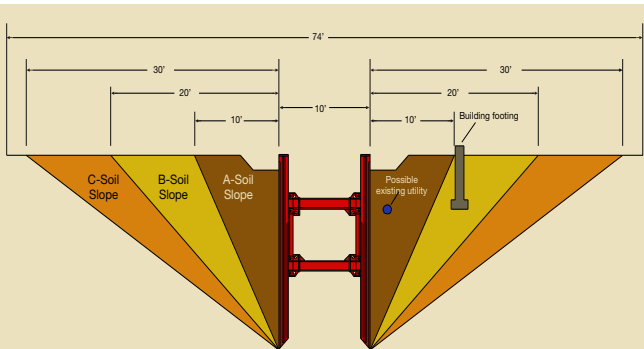
Available in 100T and 165T models, the Hydraulic Strut, when used in conjunction with the Pro-Brace System, enables large and custom sized projects to be completed with relative ease.

Both strut options contain dual acting hydraulic struts, providing exacting adjustments and swivel end attachments, enabling them to be used as either a center strut or a corner strut.

BOTTOM: Pro-Brace Hydraulic Ram

A 6" aluminum dual-acting cylinder encased in steel box tubing, the ram provides an operating range of 9'8" (2.9m) to 13'1" (3.9m). The adjustability of the Pro-Brace enables a variety of excavation shapes to be safely shored.

SLIDE RAIL SHORING



What is Pro-Tec Equipment Slide Rail?

The Pro-Tec Equipment Slide Rail System is a dig and push style system. With its modular, flexible design the system can comply with a wide variety of shapes and sizes. The Pro-Tec Slide Rail Shoring System is installed from the top down and removed from the bottom up, minimizing size of excavations, soil disturbances and restoration time and cost. The installation is done with low vibration, providing soil support for excavations, adjacent structures and existing utilities.

When to use Slide Rail

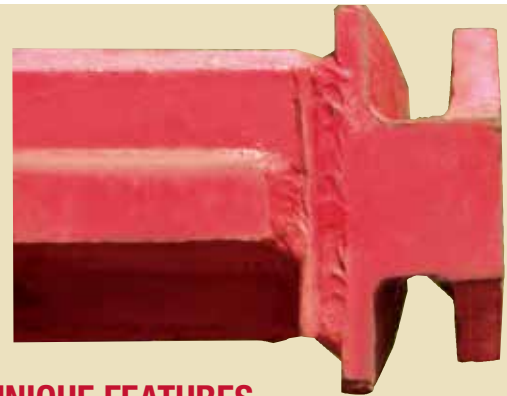
- Bad soil conditions
- Lift/pump station installations
- Tight quarters
- Fuel tank installations
- C.I.P. foundations and footings
- Boring and receiving pits
- Soil remediations
- And many other uses

Why use a Slide Rail System?

Simply put, the slide rail system, when used in the proper situation, can save the user significant time and money over sheeting and other comparable methods!



Leading producer and distributor of trench shielding & shoring equipment since 1995



UNIQUE FEATURES

ABOVE: T-Locks

Each Pro-Tec Equipment one-piece T-Lock is made from a single solid piece of steel, milled down to the shape of the T-Lock. This process, at the most crucial contact point, eliminates the need for welds and reduces friction, providing a strong, safe and secure contact point.

TOP & CENTER RIGHT: Squaring & Alignment Tools

How you start determines how you finish. That is why Pro-Tec Equipment has the squaring and alignment tools. The squaring tool allows end users to check and make sure the starting panels are all square, allowing the pit to be installed and removed with minimal or zero binding.

The alignment tools (for the corner post and the spreader post) assure that the panels are in the proper position prior to placing the required post

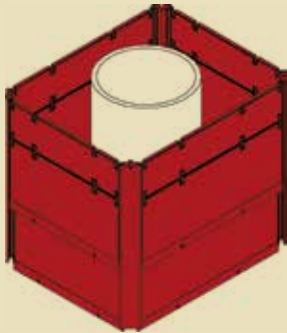
BOTTOM RIGHT & INSET: Ground Release Tool

With the industry's first ground release tool for the slide rail system, Pro-Tec Equipment ushered in a new level of safety for a slide rail jobsite. With our new ground release tool, Pro-Tec Equipment offers a stronger, safer tool, eliminating the need for climbing a ladder to unhook the rigging.

Designed to be part of the triple corner and spreader post, the track cut-out design allows the installation of panels to be faster and safer, while not needing a ladder to guide the panels into place.

MODULAR DESIGN

permits installation of a wide variety of shapes and sizes



SQUARE AND RECTANGULAR PITS

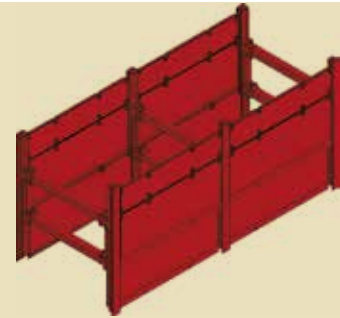
TOP: Less than 6' from an active railroad track, this 8' deep x 10' wide x 12' long single slide rail system proved through practice and engineering that it could handle the load.

CENTER: With a Komatsu PC 300, this double slide rail system, measuring 20' deep x 10' wide x 18' long was installed in the middle of an active parking lot, allowing the crew to install an 8.5' O.D. lift station.

BOTTOM: Using two Hitachi EX 700 machines, this 24' deep, 20' wide x 20' long triple slide rail system was used to install a large, 14' O.D. lift station.



Leading producer and distributor of trench shielding & shoring equipment since 1995



LINEAR AND MULTIPLE BAYS

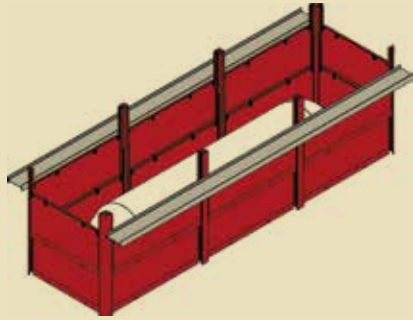
TOP: At 12' in depth, this single slide rail system was used to provide protection for a crew while they were installing pipe. With the slide rail system being a low vibration alternative to tight sheeting, this project was able to be completed while being next to a building with sensitive computer equipment.

CENTER: With an active lift station, a road and a river a stone's throw away, this 12' deep, 16' wide x 50' long linear system was used to install three pressure reduction valves for a new light rail system.

BOTTOM: With over 600,000 pounds of slide rail equipment on this job, this 24' deep x 18' wide x 146' long system was used to find and repair pipe line in the Louisiana wetlands.

FLEXIBLE COMPONENTS

makes installation easier, faster and more economical



CLEAR SPAN TANK INSTALLATIONS

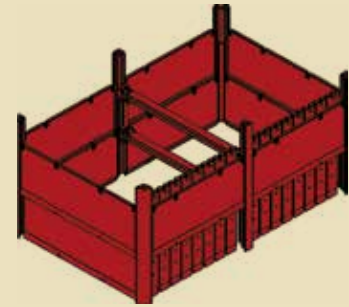
TOP: Measuring 12' deep x 12' wide x 69' long (using 4 bays of 16' panels), multiple fuel tanks are installed at Detroit Metro Airport with the aid of a PC 600 Komatsu excavator.

CENTER: Using a CAT 330 machine this 16' deep x 18' wide x 65' long system was installed at a hospital to provide them with an external fuel tank. Being outside a hospital, it was a necessity that this fuel tank be installed with a low vibration system, while providing workers with a safe workzone.

BOTTOM: With a Hitachi 450 and a CAT 345 excavator, this very large C.I.P. project measured in at 24' deep x 30' wide x 50' long.



Leading producer and distributor of trench shielding & shoring equipment since 1995



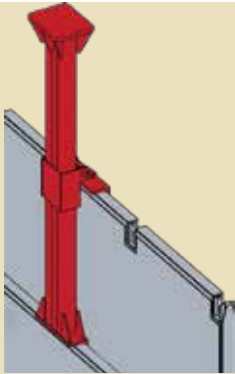
CUSTOM DESIGNS TO MEET UNIQUE NEEDS

TOP: 11' deep x 14' wide x over 100' long, this green corn receiving pit was done by "leapfrogging" the system as the crew poured the walls. Requiring no less than 10' of vertical clearance for the walls, the system was able to brace off the cured concrete floor, while itself acting as the forms for the walls.

CENTER: This double slide rail system shows the versatility of slide rail. With a mixture of a clearspan system (to allow the installation of three fuel tanks) and a multiple bay system while displaying the Pro-Tec Equipment box beam roller system (which allows an additional 27" of vertical clearance).

BOTTOM: With side-by-side utility panel guides, this 28' deep x 42' long x 20' wide system was used to search for a problem area on active pipe adjacent to a busy highway.

SLIDE RAIL ACCESSORIES



SLIDE RAIL ACCESSORIES

TOP: P.I.T. Boss (Panel Installation Tool)

The Pro-Tec Equipment P.I.T. Boss is a patented slide rail panel installation tool that dramatically increases the speed of placement of the entire system. It solves the problem of having limited access to panel push points, thereby increasing both the speed and effectiveness of installation. At the same time, the tool reduces wear and tear on the panels and on the excavator bucket used during placement.

CENTER: Railing Post System

Pro-Tec Equipment's railing post system serves as an extra precautionary measure, providing temporary railing around excavations that involve trench shoring and shielding.

Certified by a Registered Professional Engineer to meet or exceed OSHA handrail standards, the railing post systems are two-piece, lightweight systems that can be adapted to work with steel and aluminum trench shoring and shielding systems.

BOTTOM: Adjustable Tie Back

Used in conjunction with the Pro-Tec Equipment Slide Rail System, the Adjustable Tie Back increases job-site safety and waler beam utilization.



SITE ACCESS EQUIPMENT



SITE ACCESS

TOP: Platform

Fold-able and compact, the Platform offered from Pro-Tec Equipment is able to be used on sheet pile, slide rail and trench shield projects. Featuring a swing through door, a ladder arm and security chain, the Platform offers a complete system for accessing a sheet pile or trench shield\slide rail excavation.

CENTER: Fencing System

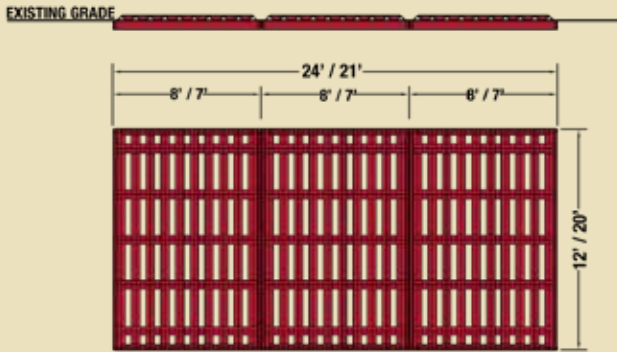
Lightweight and easy to use, the Fencing System from Pro-Tec Equipment is an alternative to traditional fencing. Offered with two clamp types, one for use on sheeting projects, the other for use on trench shield and slide rail projects, the Fencing system is able to be overlapped to completely enclose an excavation.

BOTTOM: Versa Bridges

The Pro-Tec Equipment Versa Bridge is a portable, temporary bridge system that provides ready access for vehicles and pedestrians on construction sites. Ideal for use as temporary access over excavations, and as an emergency replacement for permanent structures. Available in 20' to 50' lengths.



SITE ACCESS EQUIPMENT



TOP: Pro-Grids

Pro-Tec Equipment's Pro-Grids are a portable, virtually maintenance-free product that serves as a means to reduce track-out by removing mud, dirt and debris from the under-bodies and tires of on-the-job vehicles. The Pro-Grids are available in seven and eight foot lengths, with widths of 12' and 20'.

CENTER: Pro-Grid Ramps

Using the Pro-Grid Ramps allows for a complete Pro-Grid system to be set up above existing grade, such as on pavement. All Pro-Grid ramps are four feet in length, and just like the Pro-Grids, they come in widths of 12' and 20'.

BOTTOM: Steel Road Plates

Designed with ease of use in mind, Pro-Tec Equipment's Steel Road Plates include flush mounted pick points to allow for easy, balanced handling with no protrusion above the plate surface. Ideal for contractors, municipalities and utility companies, for use in street crossing, trench covering, temporary access over unstable terrain and avoiding unnecessary back filling.



CUSTOM PRODUCTS



TOP: Hanger Brackets

Designed to allow a trench shield to be used in a three or four sided configuration, the Hanger Brackets pin on to other Pro-Series trench shields (through the lift lugs) allow them to hang from the spreaders of a trench shield system.

CENTER: Custom Designed Trench Shields

Whether it may be for a project like the one pictured (32'+ of 4-sided protection), or a custom trench shield length, height, or depth, Pro-Tec Equipment is able to custom design what is needed to get the project done.

BOTTOM: Custom Designed Arches

Have a project that needs more than the 10' of vertical height of a Standard High Clearance Arch, or even more than the 14' of vertical height on an Ultra High Clearance Arch? Not a problem. Need a custom man-bridge to span the width of the excavation? We have that covered too! Pro-Tec Equipment, working with our in-house engineering staff will be able to provide the equipment needed to get the job done!





PRO-TEC EQUIPMENT

4837 West Grand River Ave
 Lansing, MI 48906
 Phone: 1-800-292-1225
 Fax: (517) 827-3263
www.pro-tecequipment.com

The information in this brochure is presented in good faith to assist the user in determining whether our products are suitable for his/her application. No warranty or representation, however, is intended or made, nor is protection from any law or patent to be inferred, and all patent rights are reserved. Job site photos are strictly intended for general product information only and may not comply with all applicable safety standards. Always refer to manufacturer's specific tabulated data, O.S.H.A. 29 CFR 1926 Subpart P for excavation and all applicable safety standards prior to each use. ©2018 Pro-Tec Equipment. All rights reserved.

ARCOSA
 SHORING PRODUCTS